

R | O | D | A

LEAF 001 Side table

design GORDON GUILLAUMIER



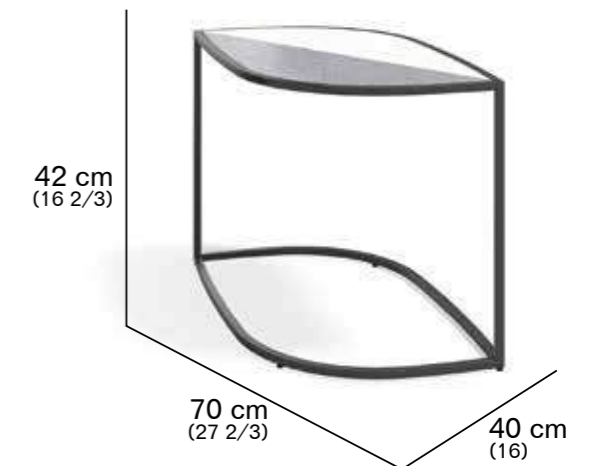
DESCRIPTION Side table for outdoor use.

STRUCTURE Powder coated stainless steel.

TOP Gres or glazed gres.

WEIGHT
11 Kg

STORAGE COVER Available.



STRUCTURE



SMOKE MILK

TOP/GRES



FOG IVORY

TOP/GLAZED GRES



ICE WATER STORM FOREST SAPPHIRE

R | O | D | A

LEAF Top combinations

STRUCTURE



TOP COMBINATIONS GRES & GLAZED GRES

